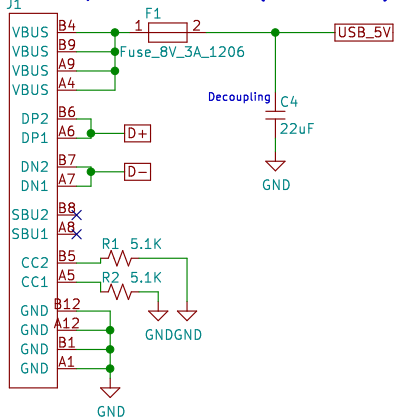
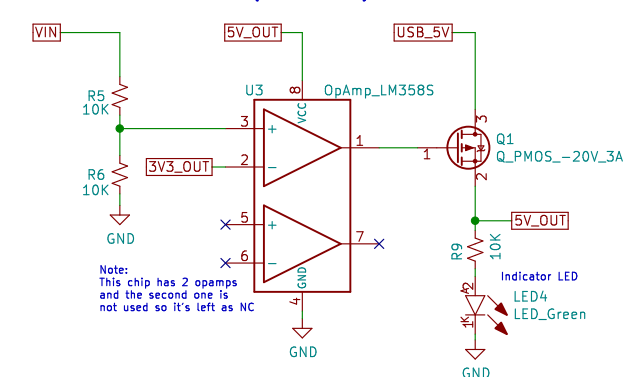


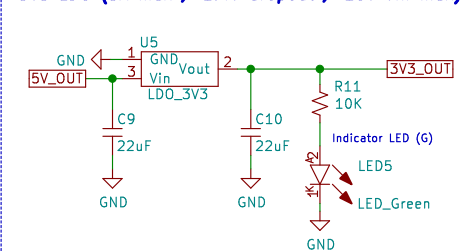
USB C Input – Power+Data (5V @ 3A max)



Automatic Power Selection (VIN OR USB)



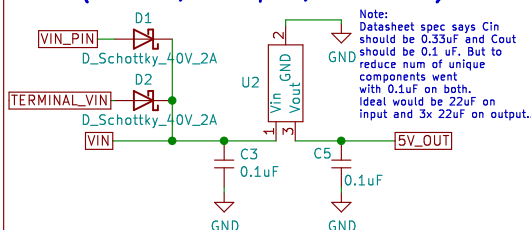
3V3 LDO (3A max / 1.4V dropout / 18V Vin max)



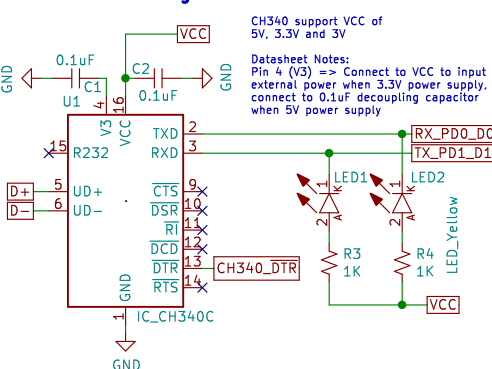
Mounting Screws
(no connections – just for reference)

- H2 MountingHole_3.2mm_M3
- H1 MountingHole_3.2mm_M3
- H3 MountingHole_3.2mm_M3
- H4 MountingHole_3.2mm_M3

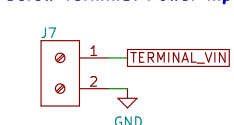
5V LDO (1.5A max / 2V dropout / 35V Vin max)



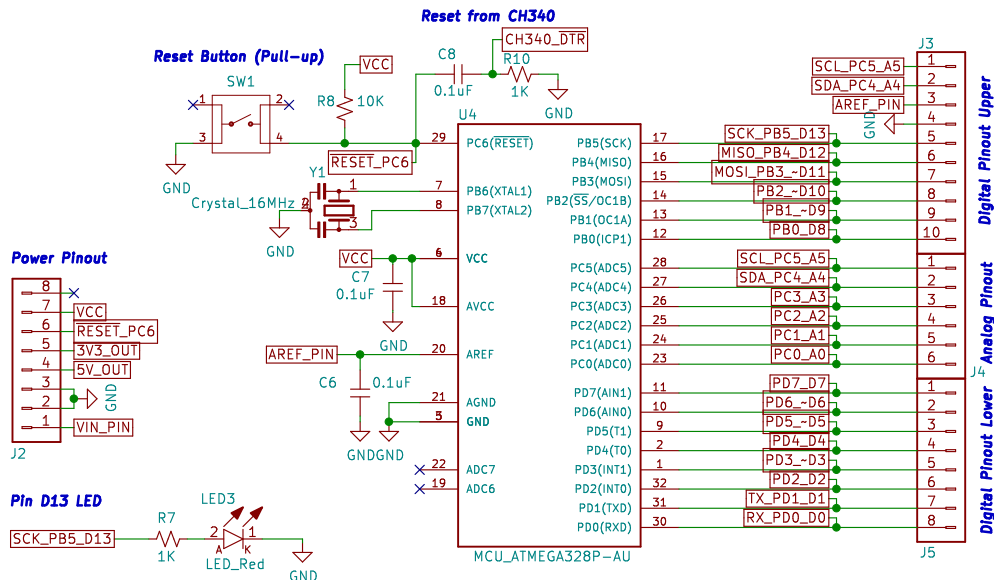
USB-to-Serial Bridge



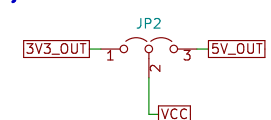
Screw Terminal Power Input



MCU – ATMEGA328P

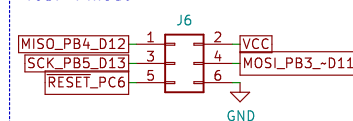


System VCC Source Selection Jumper



Note:
Sets the IO logic to 5V (recommended) or 3V3
At 3V3, max clock speed is about 14MHz

ICSP Pinout



Khalid AlAwadhi
AlAtlas Technologies
Sheet: /
File: Nabd_v2.sch

Title: Nabd

Size: A4 Date: 2020-12-24
KiCad E.D.A. kicad (5.1.8)-1

Rev: v2
Id: 1/1